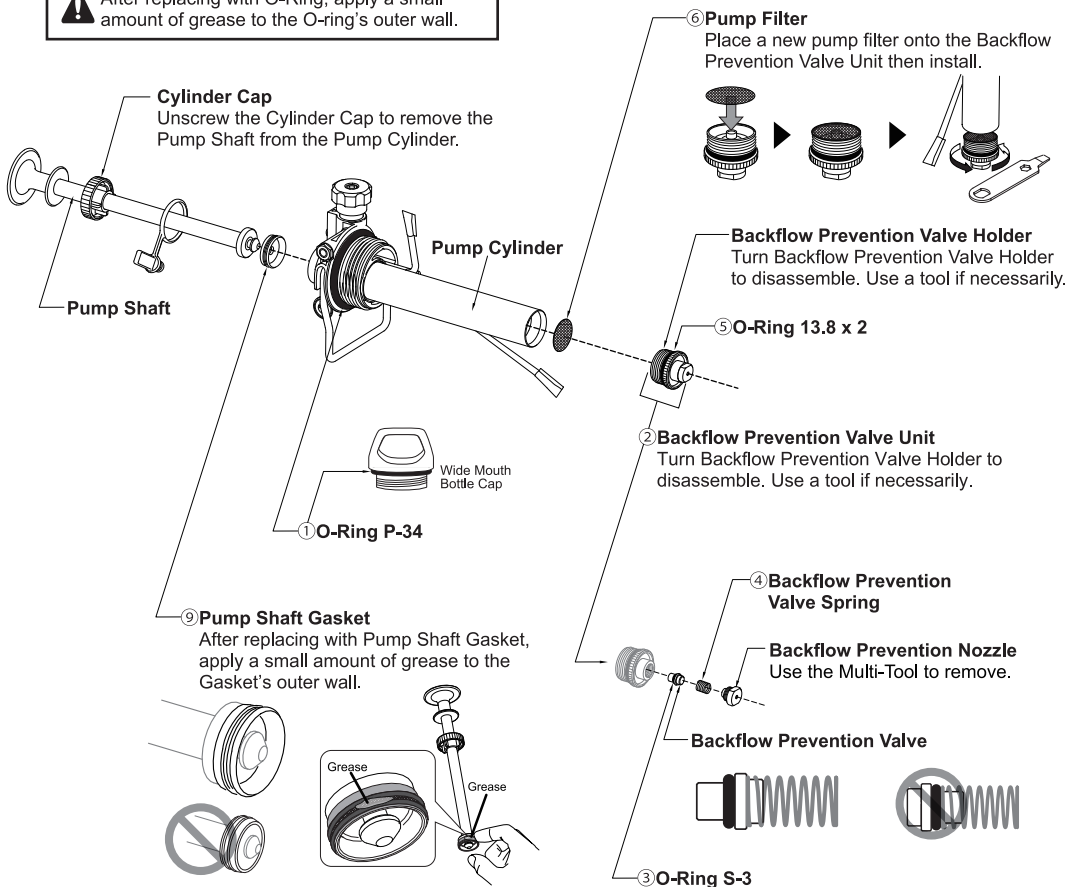


Disassemble and examine the pump unit when fuel leak is detected or when pressure does not accumulate with pumping. Keep gaskets and O-ring free of dust. Exchange gaskets and O-ring immediately when cuts, cracks, or deformations are found.

⚠ Do not use tools with O-ring surface to avoid scratching. Use fingers when replacing O-ring.

⚠ After replacing with O-Ring, apply a small amount of grease to the O-ring's outer wall.

- ① 2 O-Rings P-34
 - ② Backflow Prevention Valve Unit
 - ③ O-Ring S-3
 - ④ Backflow Prevention Valve Spring
 - ⑤ O-Ring 13.8 x 2mm
 - ⑥ Pump Filter
 - ⑦ Multi-Tool
 - ⑧ Silicone Grease
 - ⑨ Pump Shaft Gasket
- MADE IN JAPAN

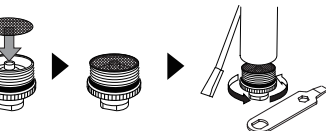


Cylinder Cap

Unscrew the Cylinder Cap to remove the Pump Shaft from the Pump Cylinder.

⑥ Pump Filter

Place a new pump filter onto the Backflow Prevention Valve Unit then install.



Backflow Prevention Valve Holder

Turn Backflow Prevention Valve Holder to disassemble. Use a tool if necessary.

⑤ O-Ring 13.8 x 2

② Backflow Prevention Valve Unit

Turn Backflow Prevention Valve Holder to disassemble. Use a tool if necessary.

④ Backflow Prevention Valve Spring

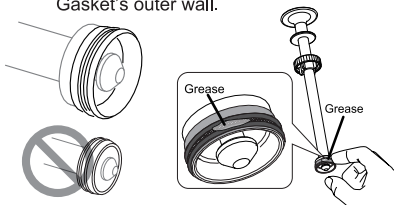
Backflow Prevention Nozzle
Use the Multi-Tool to remove.

Backflow Prevention Valve

③ O-Ring S-3

⑨ Pump Shaft Gasket

After replacing with Pump Shaft Gasket, apply a small amount of grease to the Gasket's outer wall.



Shin Fuji Burner CO.,LTD.

1-1-3 Miyukihama, Mito-cho, Toyokawa-city,
Aichi-pref, 441-0314 Japan
Phone:+81 533 75 5000 FAX:+81 533 75 5033

SOTO USA Inc.

110 Rustic Place, Eugene, Oregon 97401 USA
Phone: 503-314-5119
info@sotooutdoors.com www.sotooutdoors.com